



Ryp

- Spot Light
- Optics 25°
- Optics 40°
- Adjustable
- Hole Ø10mm
- Tunable White
- Casambi Optional
- CRI Typ 97 (TABLE C)

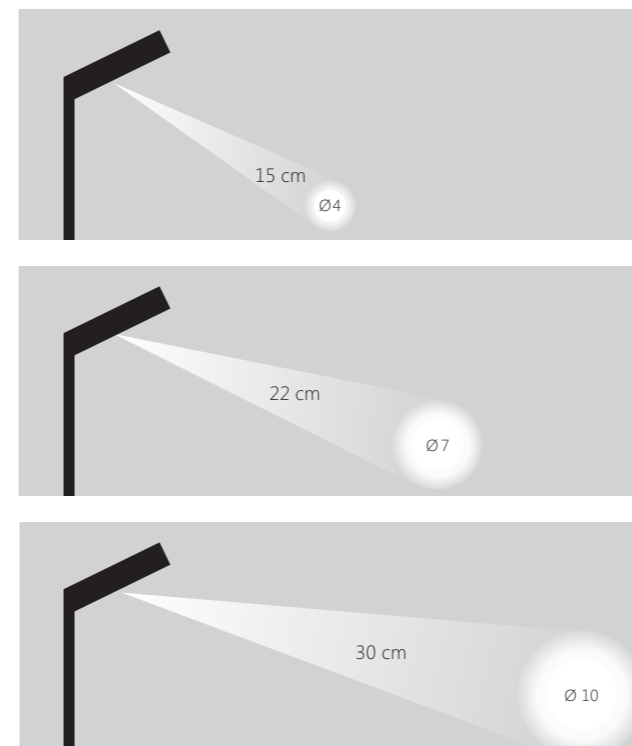
POWER - CRI	
DYNAMIC 5 Watt CRI TYP 97	
2700 K + 5700 K	465lm
LUMINOUS FLUX	
Colour level obtained from the blend: 4000K	

MATERIAL.....anodized aluminium
 POWER SUPPLY..... 700+700mA
 INTERNATIONAL PROTECTION.....IP20
 CERTIFICATIONS.....CE

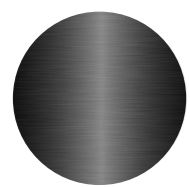
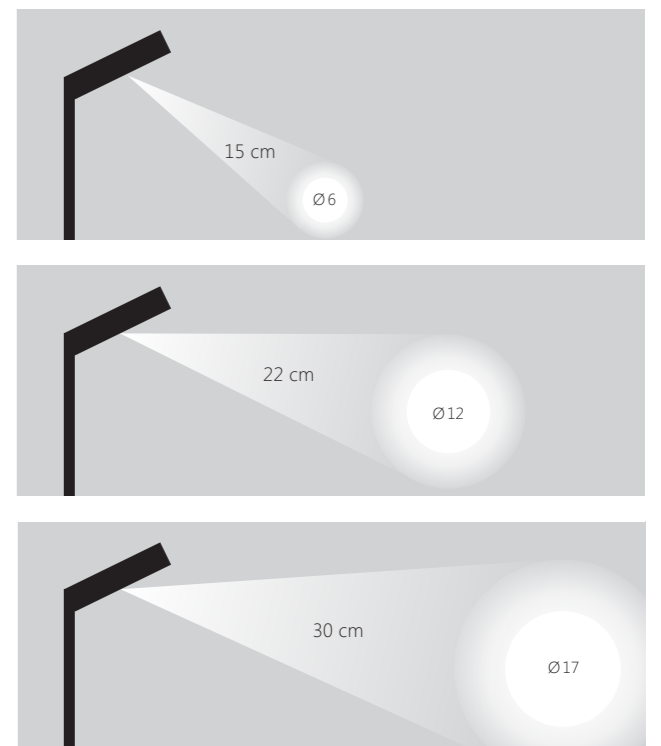
Conical Diagram



h (cm)	Ø (cm)	$\gamma=0.0$	$\alpha = \beta = 25^{\circ 1}$	$E 0^{\circ}(lx)^2$	$EC 13^{\circ}(lx)^3$
15	4			32000	14400
22	7			15500	6975
30	10			8300	3735



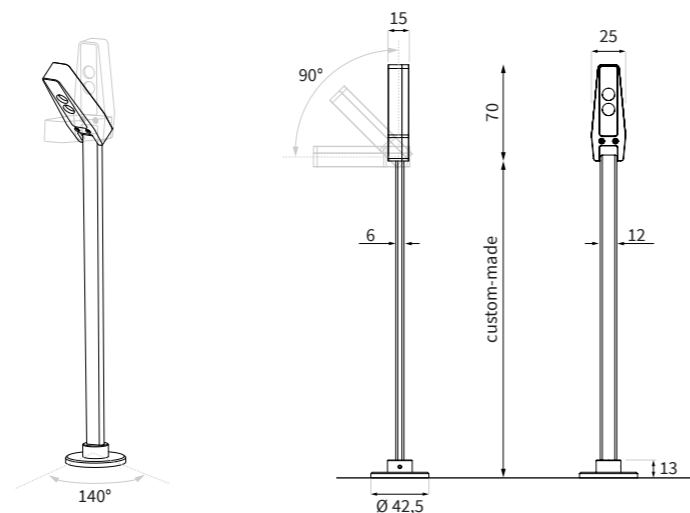
h (cm)	Ø (cm)	$\gamma=0.0$	$\alpha = \beta = 40^{\circ 1}$	$E 0^{\circ}(lx)^2$	$EC 20^{\circ}(lx)^3$
15	6			29000	13050
22	12			14000	6300
30	17			6400	2880



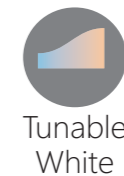
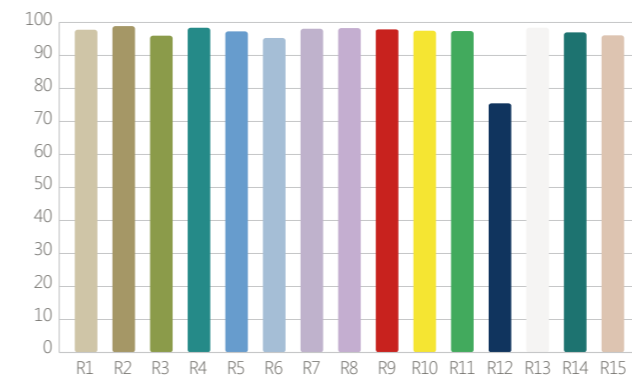
Anodized Black (standard finish)



Anodized Gold
 Anodized Silver
 Anodized Bronzo
 *Other finishes (on request)



Color Rendering Index & Functionality



Tunable White



Casambi Ready

This product with tunable white Led offers the possibility to select a light colour level that changes from 2700K to 5700K thanks to CASAMBI APP.