



HiWide

LED high bay

The Best Choice for Supermarket

HiWide with an ingenious design, is very suitable for different commercial applications such as shopping-mall, plazas, large docking, etc. Being integrated with PC reflector ensures high efficiency up to 130lm/w and less glaring. Trendy and classic looking support an exceptional solution for your lighting requirements.



Why Should You Choose HiWide?

- More beautiful outlook, better choice for modern supermarket.
- Intelligent solution for supermarket.
- Consistently improves the work productivity.



130lm/W at Ra80

Nichia chips up to 130lm/W, Energy saving.

CRI > Ra80

High CRI index accurate color rendering.



PC Reflector

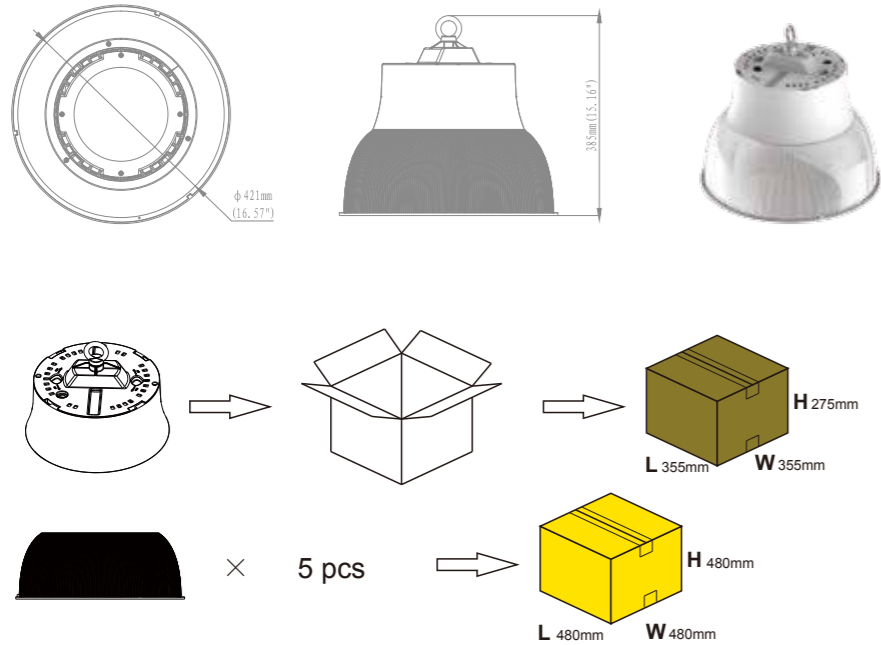
Snow white lamp body well matched with PC reflector. HiWide is exceptional for different applications like department store, supermarket, shopping-mall.

HiWide

- Long lifespan >50,000hrs
- 5 years warranty
- IP65, 100-277Vac
- Up to 75% energy saving
- Unique design and free maintenance
- Loop mounting

Control Options

- ▶ DALI Control
- ▶ 1-10V Dimming

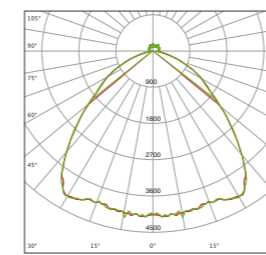


Technical Data

Part Number	HB18-100	HB18-120	HB18-150	HB18-180
Lumen Output	13,000lm	15,600lm	19,500lm	23,400lm
Wattage	100W	120W	150W	180W
Luminous Efficacy	130lm/W			
CCT	5000K(3000K, 4000K optional)			
CRI	> Ra80(>Ra70 optional)			
IP Rating	IP65			
Working Temperature	-30°C to +50°C			
LED Driver	SOSEN			
Input Voltage	100-240Vac/100-277Vac, 50-60Hz			
Power Factor	≥0.92			
Warranty	5 Years			
Lifespan	>50,000hrs			
HID Equivalent	250W	250W	400W	400W

Lighting Distribution Optional

Our optical engineers advise you the best solution by DIALUX simulation.



H00C01A

Certification

