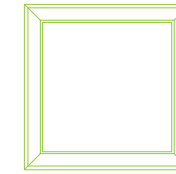




Composizioni
Compositions



	Q1	Q2	Q3	Q4
	500X500 mm	1040X1040 mm	1530X1530 mm	2410X2410 mm
	64W 24Vdc CRI TYP 95	121W 24Vdc CRI TYP 95	178W 24Vdc CRI TYP 95	278W 24Vdc CRI TYP 95
CCT	2700 K	10451 lm	15374 lm	24011 lm
	3000 K	5649 lm	10681 lm	24539 lm
	4000 K	5932 lm	11214 lm	25765 lm

QR Inside

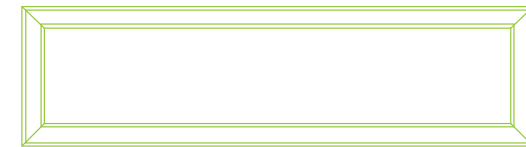
- Optics 107°
- Recessed
- Push/1-10V Optional
- DALI Optional
- Casambi Optional
- CRI TYP 95

SISTEMA DI FISSAGGIO

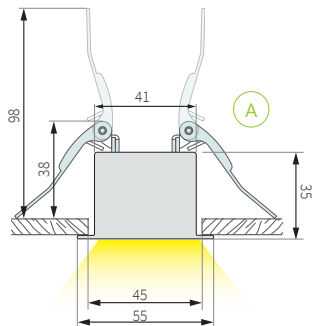
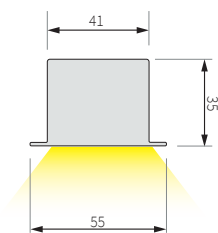
A. Clip a Molla Standard

FASTENING SYSTEM

A. Standard Spring Clip



	R1	R2	R3
	370X1410 mm	570X1900 mm	860X2490 mm
	103W 24Vdc CRI TYP 95	143W 24Vdc CRI TYP 95	194W 24Vdc CRI TYP 95
CCT	2700 K	8918 lm	12375 lm
	3000 K	9114 lm	12646 lm
	4000 K	9569 lm	13279 lm

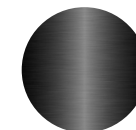


Finiture
Finishings

STANDARD



Anodizzato Argento
Anodized Silver



Anodizzato Nero
Anodized Black



Anodizzato Oro
Anodized Gold



Bianco RAL 9016
White RAL 9016